

## 25G High Speed InGaAs PIN photodiode

V4.1HIPD-005 20-10-01

**Model: LSIPD-25G**
**Features:**

- High reliability, low dark current
- 800-1700nm spectral range
- High speed rate up to 25Gbps
- Hermetic TO46 Can package or with fiber coupling

**Applications:**

- High Speed Fiber communication
- Fast optical pulse testing
- OTDR, Optical fiber sensor
- Industrial automatic control
- Science analysis and experiment



7 PIN connection Fiber coupling



Flex Circuit RF connection Fiber coupling

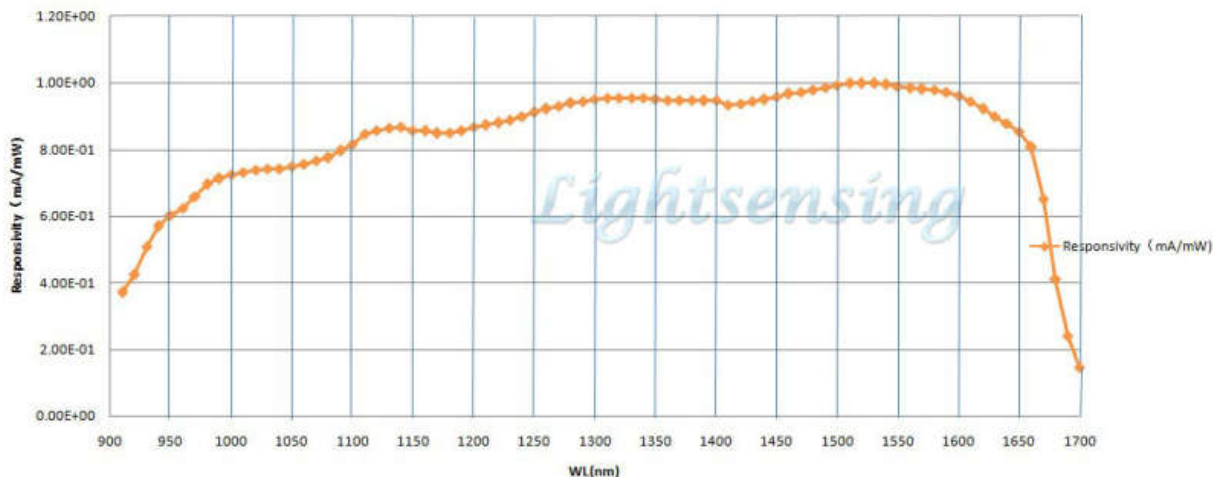
**Absolute maximum ratings:**

parameter	symbol	value	unit
Operating temperature	Top	-40~+85	°C
Storage temperature	Tstg	-40~+100	°C
Reverse voltage	Vr	20	V
Soldering temperature(time)	Ts (10s)	260	°C

**Electrical and optical characteristics:(T=25°C)**

parameter	symbol	unit	Value (typ.)
Spectral range	$\lambda$	nm	800-1700
Responsivity	Re(Vr=0V, $\lambda$ =1310nm)	mA/mW	0.75
	Re(Vr=0V, $\lambda$ =1550nm)	mA/mW	0.80
Response time	Tr (RL=50 $\Omega$ , Vr=5V)	ps	16
Band width(-3dB)	BW(RL=50 $\Omega$ , Vr=5V)	GHz	18(25Gbps)
Dark current	Id(Vr=0V)	nA	0.1
	Id(Vr=5V)	nA	2
Reverse Breakdown voltage	VBR (Id=10uA)	V	20
Total capacitance	Cj (f=1MHz, Vr=0V)	pF	60
	Cj (f=1MHz, Vr=5V)	pF	0.1
Maximum instantaneous input power	Ps(VR =5V), 1550nm,10ns,10kHz	mW	4
Reverse operating voltage	Vr	V	0-5
Shunt resistance	Rsh (Vr=10mV)	M $\Omega$	100
package	Hermetic TO46 Can package or with fiber coupling		

NOTICE: The above product specifications are subject to change without notice.

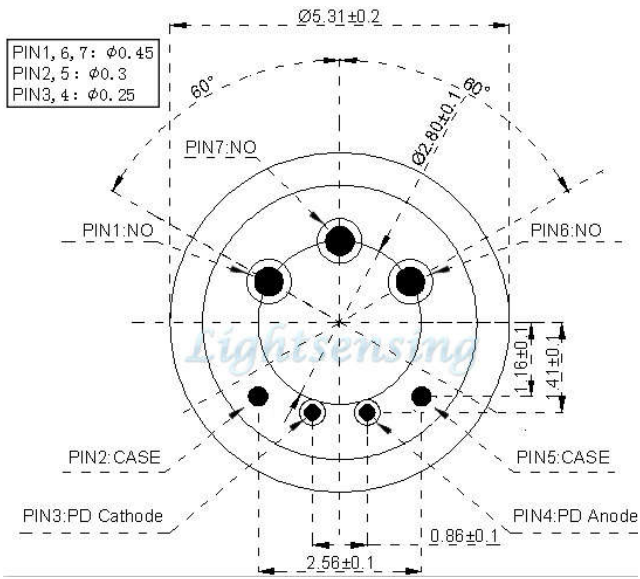
**The typical Responsivity curve**


地址: 北京市海淀区苏州街33号12层1202 邮编: 100080

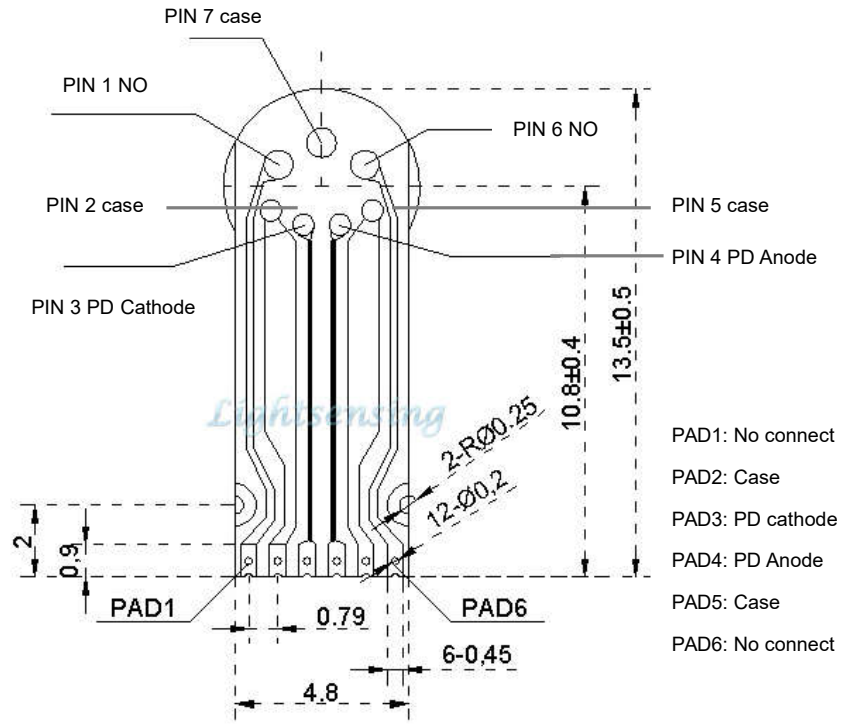
Address: Floor 12 Rm 1202, No 33 Suzhou Street, Haidian District, Beijing 100080, China.

 TEL: +86-010-82873449 FAX: +86-010-62557230 Email: [info@lightsensing.com](mailto:info@lightsensing.com) Website: [www.lightsensing.com](http://www.lightsensing.com)

**PIN Description Bottom View**



**7 PIN connection Bottom View**



**6 PAD Flex Circuit RF connection Bottom View**

**Note:** For more information on dimension, please contact us.

**Order information**

LSIPD-25G-X-X-X-X

**Fiber length**

X= Default 1m  
X=0.3m,0.5m or other

**Tube**

X= Default 0.9mm tight tube  
X=S 0.9mm Loose tube

X=TO 7 PIN TO(Standard products)

X=F Flex Circuit RF connection

X=0

X=A1

X=SMFA

X=SMFP

X=SMSA

X=Other

TO46 Can with 2mm flat window cap

TO46 Can with aspheric lens cap

TO46 Can with SM Fiber coupling with FC-APC connector (Standard products)

TO46 Can with SM Fiber coupling with FC-PC connector

TO46 Can with SM Fiber coupling with SC-APC connector

By customer's request

**The cautions**

- 1: The above product specifications are subject to change without notice.
- 2: The suitable ESD protecting measures are recommend in storage,transporting and using.
- 3: The fiber bending radius no less than 20mm for avoiding fiber damaged ,Be sure the fiber coupling facet is clean before connecting it to opto-circuit.

