

4.2mm UV Silicon PIN photodiode

V4.1UVPD-004 20-10-01

Model: LSSPD-U4.2
Features:

- High reliability, low dark current
- 200-1100nm spectral range
- Active diameter 4.2x4.2mm
- Hermetic TO5 Can with UV window or with receptacle

Applications:

- Optical sensor
- Optical power meter
- Industrial automatic control
- Science analysis and experiment
- Space light detect equipment
- Response spectrum testing

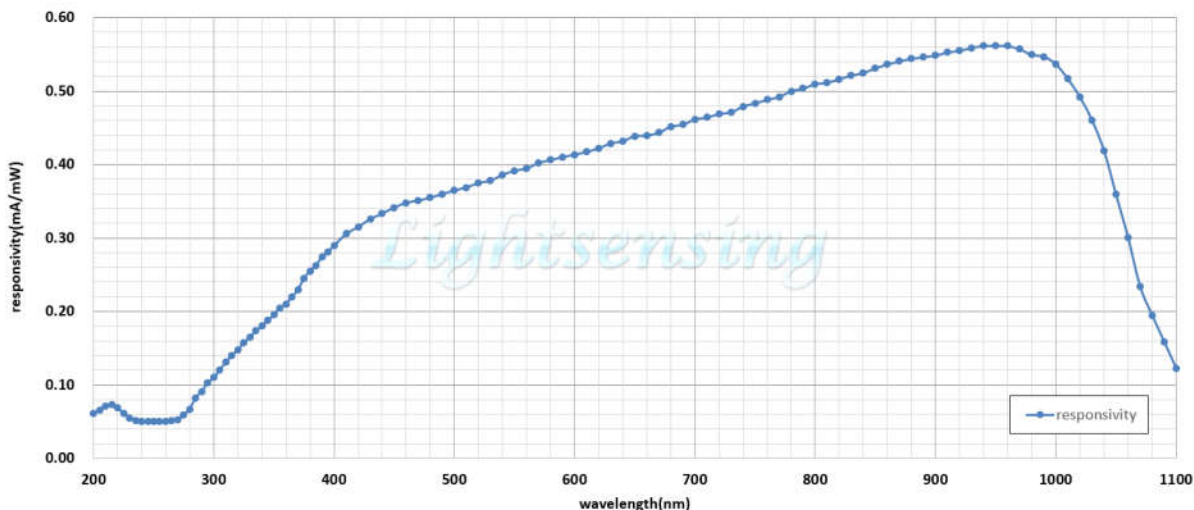

Absolute maximum ratings:

parameter	symbol	value	unit
Operating temperature	Top	-40~+85	°C
Storage temperature	Tstg	-40~+100	°C
Reverse voltage	Vr	20	V
Soldering temperature(time)	Ts (10s)	260	°C

Electrical and optical characteristics:(T=25°C)

parameter	symbol	unit	Value (typ.)
Active diameter	Φ	mm	4.2x4.2
Spectral range	λ	nm	200-1100
Responsivity	Re(Vr=0V, λ =200nm)	mA/mW	0.06
	Re(Vr=0V, λ =405nm)	mA/mW	0.27
	Re(Vr=0V, λ =650nm)	mA/mW	0.43
	Re(Vr=0V, λ =905nm)	mA/mW	0.55
	Re(Vr=0V, λ =1064nm)	mA/mW	0.22
Response time	Tr (RL=50 Ω , Vr=5V)	ns	300
Dark current	Id(Vr=0V)	nA	0.1
	Id(Vr=5V)	nA	1
Reverse Breakdown voltage	VBR (Id=10uA)	V	40
Toatl capacitance	Cj (f=1MHz, Vr=0V)	pF	1000
	Cj (f=1MHz, Vr=5V)	pF	200
Saturated optical Power	Ps(Vr=5V)	mW	25
Reverse operating voltage	Vr	V	0-15V
Shunt resistance	Rsh (Vr=10mV)	M Ω	100
Package	Hermetic TO5 Can with UV window or with receptacle		

NOTICE: The above product specifications are subject to change without notice.

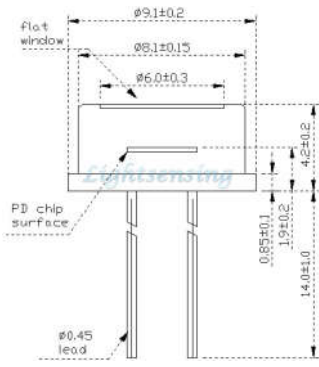
The typical Responsivity curve


地址: 北京市海淀区苏州街33号12层1202 邮编: 100080

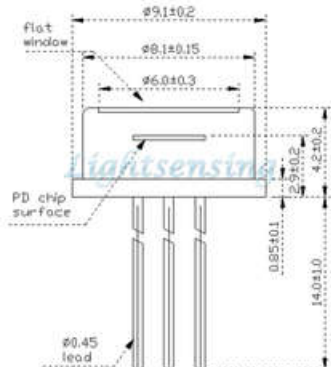
Address: Floor 12 Rm 1202, No 33 Suzhou Street, Haidian District, Beijing 100080, China.

 TEL: +86-010-82873449 FAX: +86-010-62557230 Email: info@lightsensing.com Website: www.lightsensing.com

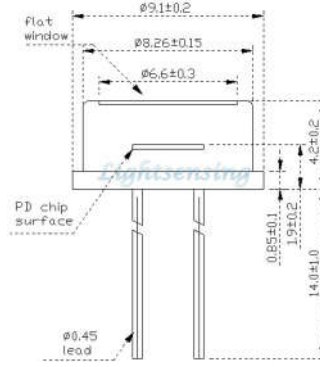
TO package and Lead



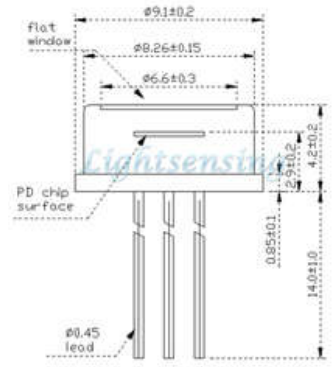
flat window 2 PIN 8.1mm TO
Model: 08.1



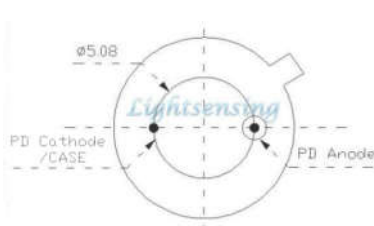
flat window 3PIN 8.1mm TO
Model: 08.1



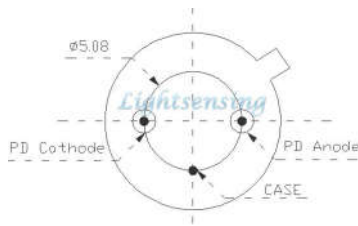
flat window 2 PIN 8.26mm TO
Model: 08.26



flat window 3PIN 8.26mm TO
Model: 08.26



2PIN Bottom View



3PIN Bottom View

Note: For more information on dimension, please contact us.

Order information

LSSPD-U4.2-X-X

X=2P 2 PIN(Standard products)
X=3P 3 PIN(Standard products)

X=08.1
X=08.26
X=CWFC
X=CWSC
X=CWLC
X=CWST
X=20CWFC
X=20CWSC
X=20CWST
X=20CWLC
X=Other

TO5 Can with UV flat window $\phi 8.1$ mm nickel cap
TO5 Can with UV flat window $\phi 8.26$ mm nickel cap(Standard products)
TO5 Can with replaceable receptacle with FC connector
TO5 Can with replaceable receptacle with SC connector
TO5 Can with replaceable receptacle with LC connector
TO5 Can with replaceable receptacle with ST connector
TO5 Can with 20mm replaceable receptacle with FC connector
TO5 Can with 20mm replaceable receptacle with SC connector
TO5 Can with 20mm replaceable receptacle with ST connector
TO5 Can with 20mm replaceable receptacle with LC connector
By customer's request.

The cautions

- 1: The above product specifications are subject to change without notice.
- 2: The suitable ESD protection is required in storage, transportation and using