

## 0.3mm InGaAs PIN photodiode

V4.1LIPD-003B 20-10-01

**Model: LSIPD-L0.3**
**Features:**

- High reliability, low dark current
- Top illumination Planar PIN PD
- Active diameter 0.3mm
- Hermetic TO46 Can or with receptacle


**Applications:**

- Optical sensor
- Optical power meter
- Industrial automatic control
- Science analysis and experiment
- Space light detect equipment
- Response spectrum testing

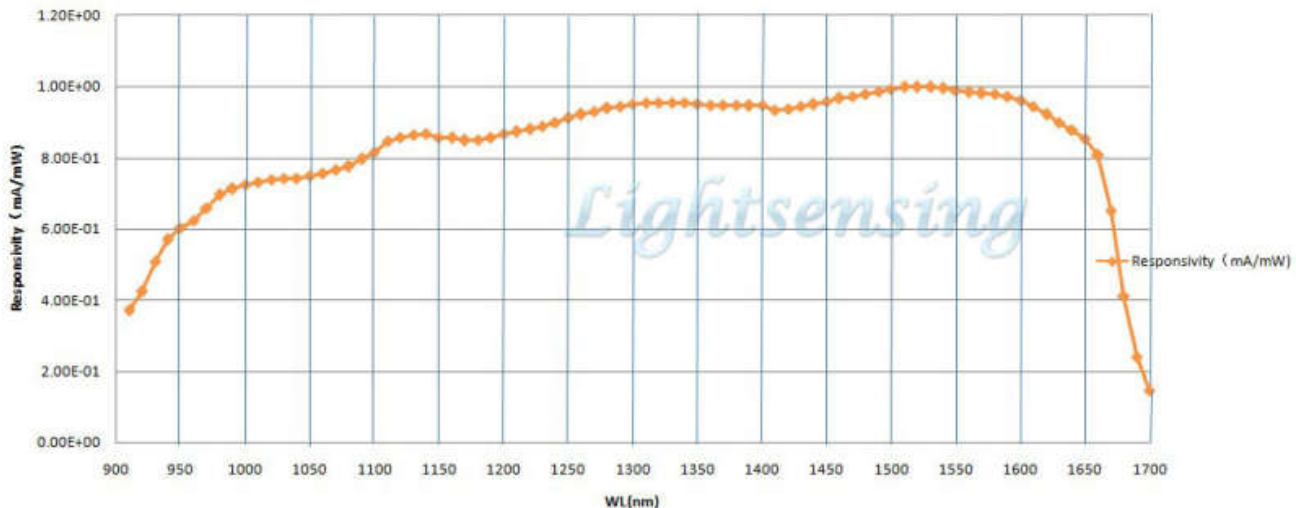
**Absolute maximum ratings:**

parameter	symbol	value	unit
Operating temperature	Top	-40~+85	°C
Storage temperature	Tstg	-40~+100	°C
Reverse voltage	Vr	10	V
Soldering temperature(time)	Ts (10s)	260	°C

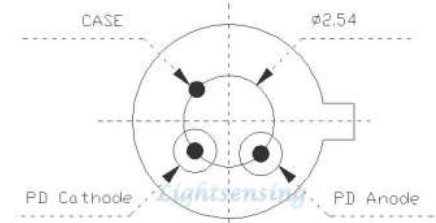
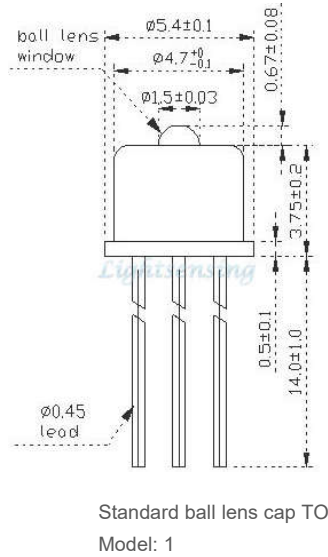
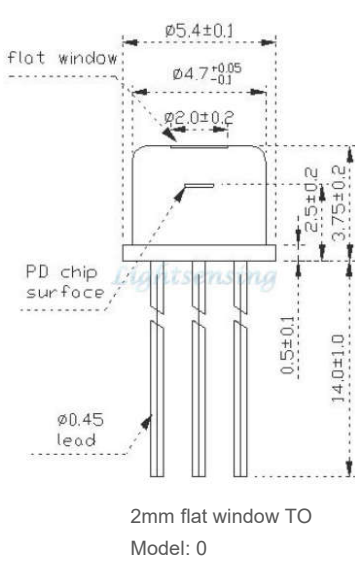
**Electrical and optical characteristics:(T=25°C)**

parameter	symbol	unit	Value (typ.)
Active diameter	$\Phi$	mm	0.3
Spectral range	$\lambda$	nm	800-1700
Responsivity	Re(Vr=0V, $\lambda$ =1310nm)	mA/mW	0.85
	Re(Vr=0V, $\lambda$ =1550nm)	mA/mW	0.90
Response time	Tr (RL=50 $\Omega$ , Vr=5V)	ns	1
Dark current	Id(Vr=0V)	nA	0.05
	Id(Vr=5V)	nA	0.5
Reverse Breakdown voltage	VBR (Id=10uA)	V	30
Total capacitance	Cj (f=1MHz, Vr=0V)	pF	1000
	Cj (f=1MHz, Vr=5V)	pF	6
Saturated Optical Power	Ps(VR =5V)	mW	5
Reverse operating voltage	Vr	V	0-5
Shunt resistance	Rsh (Vr=10mV)	G $\Omega$	1
package	Hermetic TO46 Can or with receptacle		

NOTICE: The above product specifications are subject to change without notice.

**The typical Responsivity curve**


TO package and Lead



**Note:** For more information on dimension, please contact us.

**Order information**

LSIPD-L0.3-X-X

X=B Type B PIN  
X=Other

X=0  
X=0A  
X=1  
X=1A  
X=2JKFC  
X=Other

TO46 Can with 2mm flat window cap **(Standard products)**  
 TO46 Can with 2mm flat window cap and Antireflection Coatings  
 TO46 Can with ball lens cap **(Standard products)**  
 TO46 Can with ball lens cap and Antireflection Coatings  
 TO46 Can with fixed receptacle with FC connector and 2 mounting holes **(Standard products)**  
 By customer's request

**The Cautions**

- 1: The above product specifications are subject to change without notice.
- 2: The suitable ESD protecting measures are recommend in storage,transporting and using.

