

0.1mm InGaAs PIN photodiode

V4.1LIPD-001 20-10-01

Model: LSIPD-L0.1
Features:

- High reliability, low dark current
- Top illumination Planar PIN PD
- Active diameter 0.1mm
- Hermetic TO46 Can


Applications:

- Optical sensor
- Optical power meter
- Industrial automatic control
- Science analysis and experiment
- Space light detect equipment
- Response spectrum testing

Absolute maximum ratings:

parameter	symbol	value	unit
Operating temperature	Top	-40~+85	°C
Storage temperature	Tstg	-40~+100	°C
Reverse voltage	Vr	10	V
Soldering temperature(time)	Ts (10s)	260	°C

Electrical and optical characteristics:(T=25°C)

parameter	symbol	unit	Value (typ.)
Active diameter	Φ	mm	0.1
Spectral range	λ	nm	800-1700
Responsivity	Re(Vr=0V, λ =1310nm)	mA/mW	0.85
	Re(Vr=0V, λ =1550nm)	mA/mW	0.90
Response time	Tr (RL=50 Ω , Vr=5V)	ns	0.2
Dark current	Id(Vr=0V)	pA	3
	Id(Vr=5V)	pA	30
Reverse Breakdown voltage	VBR (Id=10uA)	V	40
Total capacitance	Cj (f=1MHz, Vr=0V)	pF	1500
	Cj (f=1MHz, Vr=5V)	pF	1.8
Saturated Optical Power	Ps(Vr =5V)	mW	5
Reverse operating voltage	Vr	V	0-5
Shunt resistance	Rsh (Vr=10mV)	G Ω	3
package	Hermetic TO46 Can		

NOTICE: The above product specifications are subject to change without notice.

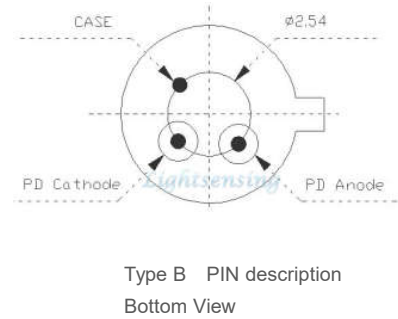
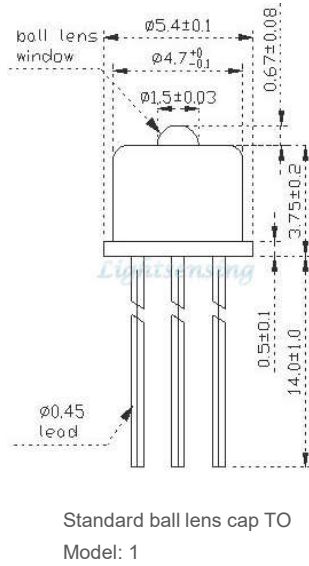
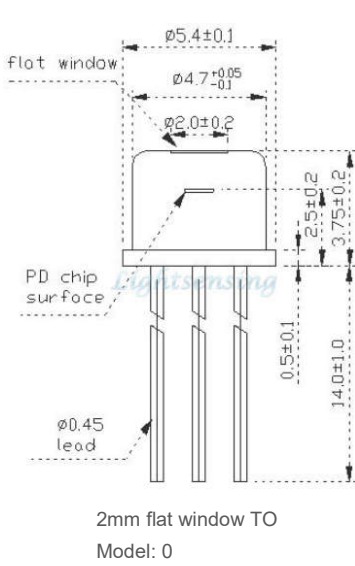
The typical Responsivity curve


地址: 北京市海淀区苏州街 33 号 12 层 1202 邮编: 100080

Address: Floor 12 Rm 1202, No 33 Suzhou Street, Haidian District, Beijing 100080, China.

 TEL: +86-010-82873449 FAX: +86-010-62557230 Email: info@lightsensing.com Website: www.lightsensing.com

TO package and Lead



Note: For more information on dimension, please contact us.

Order information

LSIPD-L0.1-X-X

X=B Type B PIN
X=Other

X=0
X=0A
X=1
X=1A
X=Other

TO46 Can with 2mm flat window cap **(Standard products)**
TO46 Can with 2mm flat window cap and Antireflection Coatings
TO46 Can with ball lens cap **(Standard products)**
TO46 Can with ball lens cap and Antireflection Coatings
By customer's request

The Cautions

- 1: The above product specifications are subject to change without notice.
- 2: The suitable ESD protecting measures are recommend in storage,transporting and using.

