

3x8mm InGaAs PIN photodiode

V4.1LIPD-010 20-10-01

Model: LSIPD-L3x8
Features:

- High reliability, low dark current
- Top illumination Planar PIN PD
- Large Active diameter 3x8mm
- Hermetic TO8 Can or with receptacle

Applications:

- Optical sensor
- Optical power meter
- Industrial automatic control
- Science analysis and experiment
- Space light detect equipment
- Response spectrum testing



0A



20CWFC



20CWSC



20CWST

Absolute maximum ratings:

parameter	symbol	value	unit
Operating temperature	Top	-40~+85	°C
Storage temperature	Tstg	-40~+100	°C
Reverse voltage	Vr	4	V
Soldering temperature(time)	Ts (10s)	260	°C

Electrical and optical characteristics:(T=25°C)

parameter	symbol	unit	Value (typ.)
Active diameter	Φ	mm	3x8
Spectral range	λ	nm	800-1700
Responsivity	Re(Vr=0V, λ =1310nm)	mA/mW	0.85
	Re(Vr=0V, λ =1550nm)	mA/mW	0.90
Response time	Tr (RL=50 Ω , Vr=2V)	ns	400
Dark current	Id(Vr=0V)	nA	2
	Id(Vr=2V)	nA	15
Reverse Breakdown voltage	VBR (Id=10uA)	V	10
Total capacitance	Cj (f=1MHz, Vr=0V)	pF	6000
	Cj (f=1MHz, Vr=2V)	pF	3000
Saturated Optical Power	Ps(Vr=0V)	mW	5(Min.3)
	Ps(Vr=2V)	mW	15
Reverse operating voltage	Vr	V	0-2
Shunt resistance	Rsh (Vr=10mV)	M Ω	5
package	Hermetic TO8 Can or with receptacle		

NOTICE: The above product specifications are subject to change without notice.

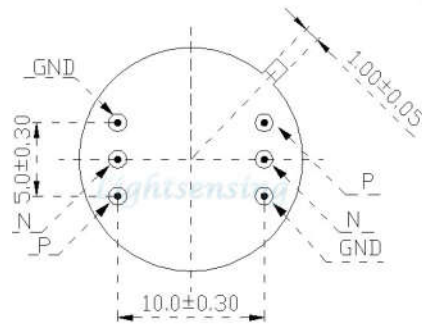
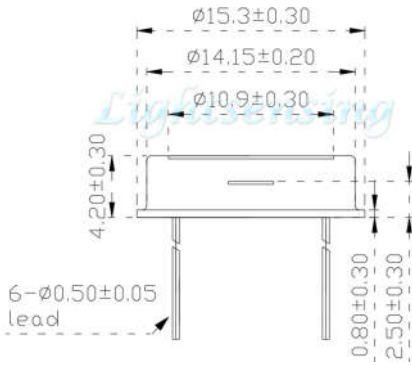
The typical Responsivity curve


地址: 北京市海淀区苏州街33号12层1202 邮编: 100080

Address: Floor 12 Rm 1202, No 33 Suzhou Street, Haidian District, Beijing 100080, China.

 TEL: +86-010-82873449 FAX: +86-010-62557230 Email: info@lightsensing.com Website: www.lightsensing.com

TO package and Lead



Bottom View

Note: For more information on dimension, please contact us.

Order information

LSIPD-L3x8-X

- | | |
|----------|--|
| X=0 | TO8 Can with flat window Au cap (Standard products) |
| X=0A | TO8 Can with flat window Au cap and Antireflection Coatings (Standard products) |
| X=20CWFC | TO8 Can with 20mm replaceable receptacle with FC connector |
| X=20CWSC | TO8 Can with 20mm replaceable receptacle with SC connector |
| X=20CWST | TO8 Can with 20mm replaceable receptacle with ST connector |
| X=Other | By customer's request. |

The cautions

- 1: The above product specifications are subject to change without notice.
- 2: The suitable ESD protecting measures are recommend in storage,transporting and using.

