

1310nm 10G DFB SM coaxial laser diode

Version: 3.1 17-03-01

Model: LSDLD131-10G
Features:

- MQW-DFB
- Direct modulation rate up to 10Gbps
- High side-mode-suppression ratio (typical>35dB)
- High reliable, Built-in monitor PD
- Low threshold/operate current
- Hermetic package TO56 Can with receptacle or with fiber coupling


Applications:

- Optical Sensing
- Optical communication
- Industrial automatic control
- Science analysis and experiment
- Test and Measurement Equipment

Absolute maximum ratings:

parameter	symbol	value	unit
Operating temperature	Top	-20~+75	°C
Storage temperature	Tstg	-40~+90	°C
Laser diode Reverse voltage	V _r	2	V
Soldering temperature/time		260/10	°C/S

Electrical and optical characteristics:(T=25°C)

parameter	symbol	Min.	Typ,	Max.	unit
Center wavelength	λ	1300	1310	1320	nm
Threshold Current	I _{th}		8		mA
Operating Current	I _{op}		40	50	mA
Operating Voltage	V _{op}		1.2	1.6	V
Output power(from fiber)	P	1	2		mW
Spectral width	$\Delta\lambda$		0.3		nm
Wavelength/Temp. Coefficient	$\Delta\lambda/\Delta T$		0.1		nm/°C
Side mode suppression ratio	SMSR	35	40		dB
Rise/ Fall time	Tr/Tf(I _{th} +30mA)		50		ps
Band width	BW		8.5		GHZ
Monitoring Output Current	I _m (I _{th} +30mA)	0.05	1		mA
Monitor Dark current	I _d (V _r =5V)			100	nA
Monitor Capacitance	C (V _r =5V)		10		pF
Optical Isolation(note1)	Iso	30			dB Single
		50			dB Double
package	Hermetic package TO56 Can with receptacle or with fiber coupling				

Note1: temperature range:-20~70°C

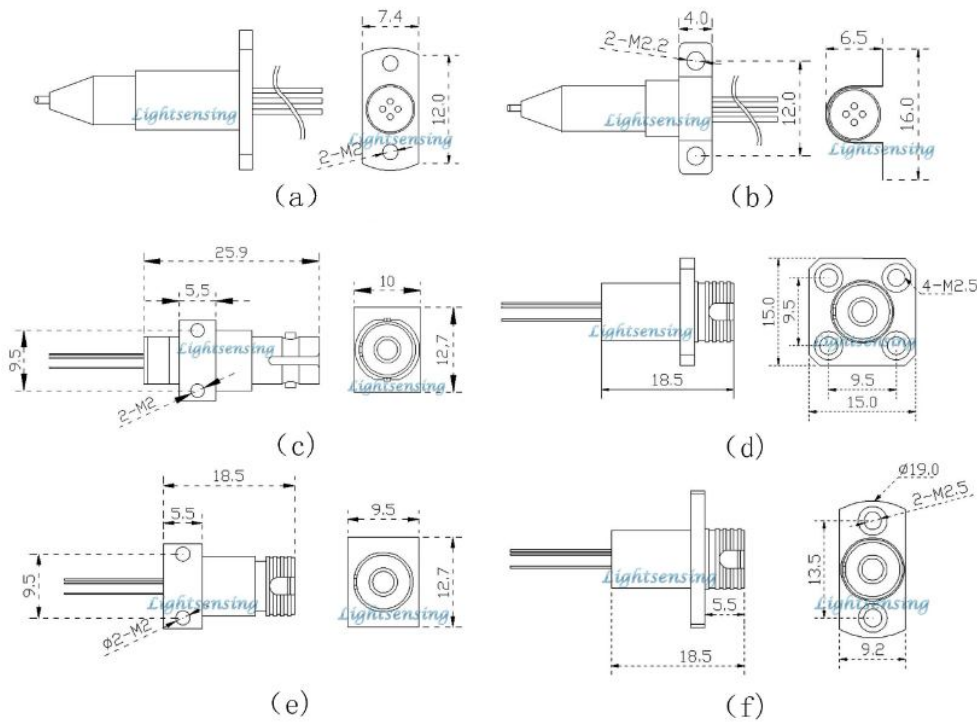
NOTICE: The above product specifications are subject to change without notice.

地址: 北京市海淀区苏州街12号西屋国际E座1201 邮编: 100080

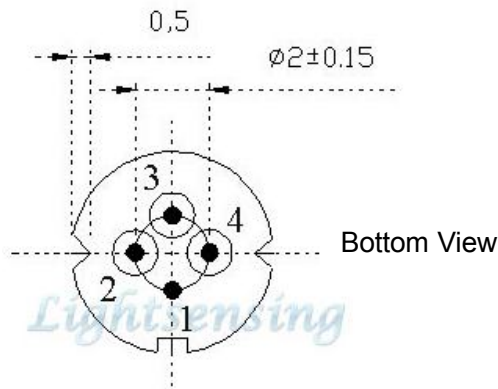
Address: Building E Rm 1201, Westing house, No 12 Suzhou Street,, Haidian District, Beijing 100080, China.

 TEL: +86-010-82873449 FAX: +86-010-62557230 Email: info@lightsensing.com Website: www.lightsensing.com

The package Dimensions



PIN description



PIN OUT

	F type	S type
1	LD(+)/case	case
2	LD(-)	LD(-)
3	PD(-)	PD(+)
4	PD(+)	LD(+)/PD(-)

Order information

LSDL131-10G-X-X-X-X

mW Pin out Isolator
 X=2 X=S S Type X=0 NO
 Other X=F F Type X=1 Single
 X=2 Double

X=a a package with SM Fiber or PM Fiber with FC/UPC or FC/APC
 X=b b package with SM Fiber or PM Fiber with FC/UPC or FC/APC
 X=cJKST c package with ST receptacle
 X=dJKFC d package with FC receptacle
 X=e JKFC e package with FC receptacle
 X=f JKFC f package with FC receptacle
 X=Other By customer's request

The cautions

- 1: The above product specifications are subject to change without notice.
- 2: The suitable ESD protecting measures are recommend in storage,transporting and using.
- 3: The fiber bending radius no less than 20mm for avoiding fiber damaged ,Be sure the fiber coupling facet is clean before connecting it to opto-circuit.