

## 650nm 10mW FP SM coaxial laser diode Version: 3.1 17-03-01

Model: LSFLD650-10

### Features:

- MQW F-P LD
- Single mode
- Built-in monitor PD
- Metal can type hermetic
- Low threshold/operate current
- High reliable



### Applications:

- Optical Sensing
- Industrial automatic control
- Science analysis and experiment
- Test and Measurement Equipment
- Laser range finder

### Absolute maximum ratings:

parameter	symbol	value	unit
Operating temperature	Top	-10~+70	°C
Storage temperature	Tstg	-40~+85	°C
Laser diode Reverse voltage	V <sub>r</sub>	2	V
Soldering temperature/time		260/10	°C/S

### Electrical and optical characteristics:(T=25°C)

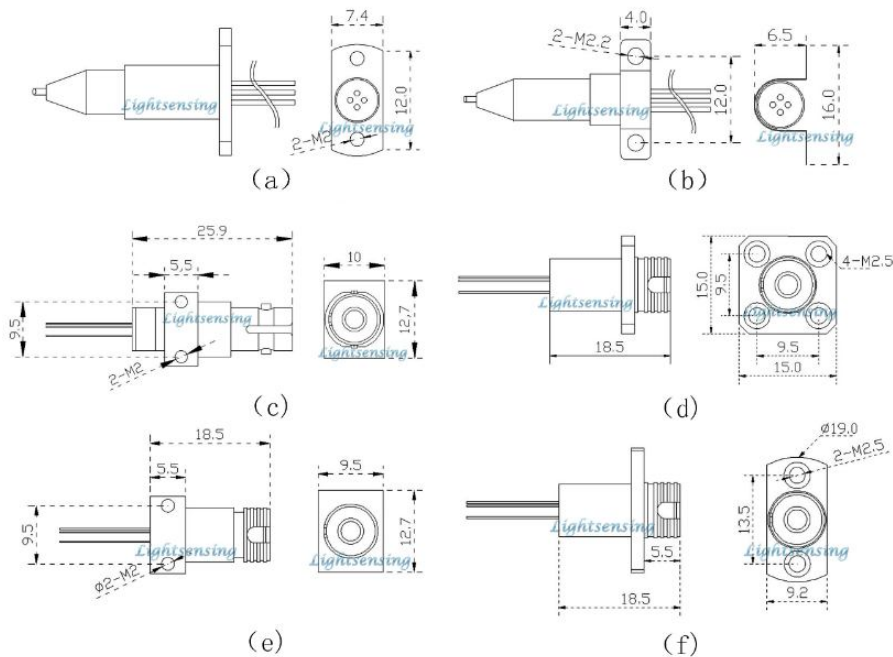
parameter	symbol	Min.	Typ.	Max.	unit
Center wavelength	$\lambda$	648	658	665	nm
Threshold Current	I <sub>th</sub>		35	50	mA
Operating Current	I <sub>op</sub>		65	100	mA
Spectral width	$\Delta\lambda$		3		nm
Operating Voltage	V <sub>op</sub>		2.4	3.0	V
Light output power(from 9um SM fiber)*1	P <sub>o</sub> (CW)		10		mW
Monitor Output Current	I <sub>m</sub>	0.05	0.3	1.5	mA
package	Hermetic TO56 Can with fiber coupling or receptacle				

\*1: for 62.5um MM fiber, the output power can double.

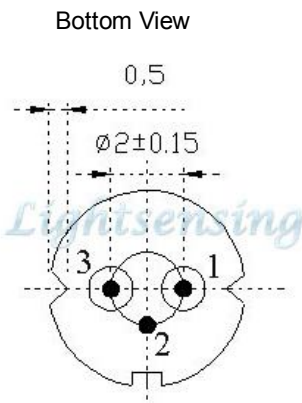
For 4um SM fiber (NA =0.13) , the output power can reduce about 50%

NOTICE: The above product specifications are subject to change without notice.

## The package Dimensions



## PIN description



Default type,  
Standard PIN description

pin	function
1	LD Cathode
2	LD anode, PD cathode, case
3	PD anode

B type of PIN description

pin	function
1	LD anode
2	LD Cathode , case
3	

## Order information

LSFLD650-X-X-X

mW	PIN description	X=a	X=b	X=cJKST	X=dJKFC	X=e JKFC	X=f JKFC	X=Other
X=10	Default=Standard PIN	a package with 4um SM, 9um SM or MM Fiber coupling with FC/UPC or FC/APC connector	b package with 4um SM, 9um SM or MM Fiber coupling with FC/UPC or FC/APC connector	c package with ST receptacle	d package with FC receptacle	e package with FC receptacle	f package with FC receptacle	By customer's request
X=other	B=B type of PIN							

## The cautions

- 1: The above product specifications are subject to change without notice.
- 2: The suitable ESD protection is required in storage, transportation and using
- 3: The fiber bending radius no less than 20mm for avoiding fiber damaged ,Be sure the fiber coupling facet is clean before connecting it to opto-circuit.