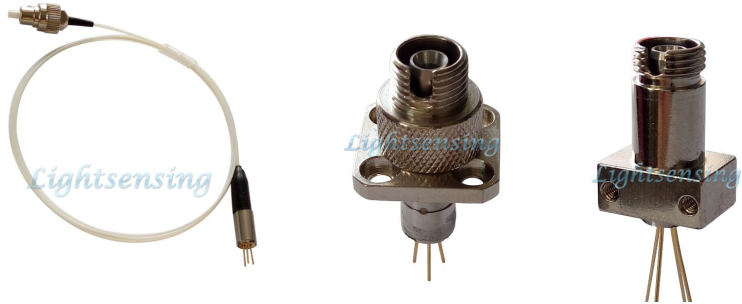


635nm 3mW FP SM coaxial laser diode Version: 3.1 17-03-01

Model: LSFLD635-3

Features:

- MQW F-P LD
- Single mode
- Built-in monitor PD
- Metal can type hermetic
- Low threshold/operate current
- High reliable



Applications:

- Optical Sensing
- Industrial automatic control
- Science analysis and experiment
- Test and Measurement Equipment
- Laser range finder

Absolute maximum ratings:

parameter	symbol	value	unit
Operating temperature	Top	-10~+50	°C
Storage temperature	Tstg	-40~+85	°C
Laser diode Reverse voltage	V _r	2	V
Soldering temperature/time		260/10	°C/S

Electrical and optical characteristics:(T=25°C)

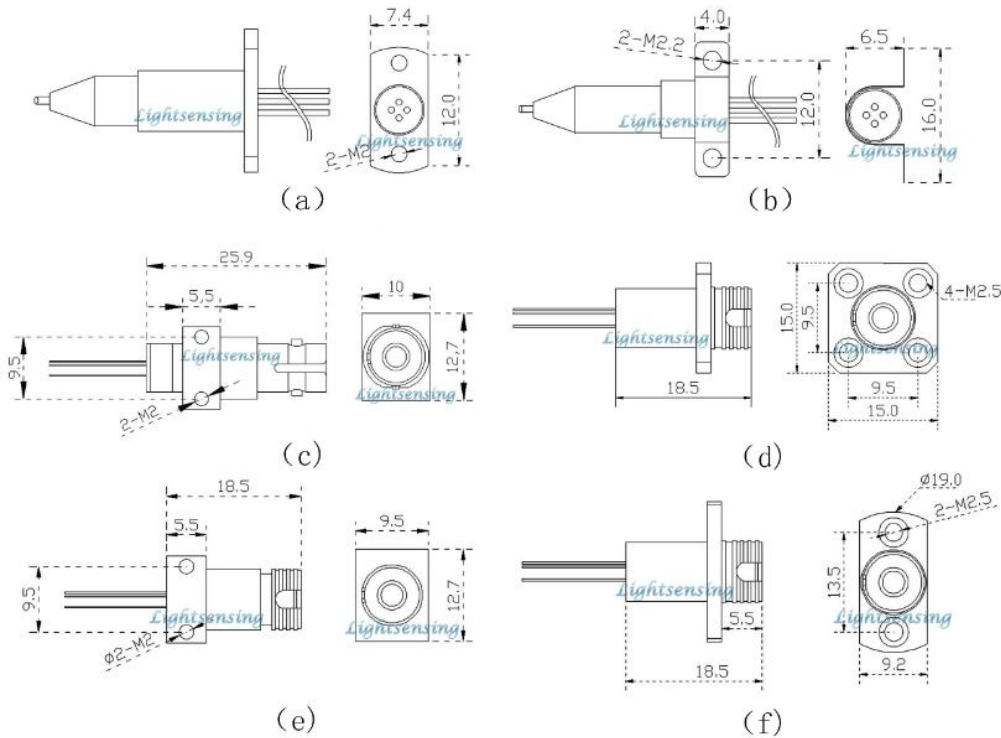
parameter	symbol	Min.	Typ,	Max.	unit
Center wavelength	λ	630	635	645	nm
Threshold Current	I _{th}		35	47	mA
Operating Current	I _{op}		45	55	mA
Spectral width	$\Delta\lambda$		3		nm
Operating Voltage	V _{op}		2.2	2.5	V
Light output power(from 9um SM fiber)*1	P _o (CW)		3		mW
Monitor Output Current	I _m	0.05	0.15	0.3	mA
package	Hermetic TO56 Can with fiber coupling or receptacle				

*1 Note: For 62.5um MM fiber, the output power can double.

For 4um SM fiber (NA =0.13), the output power can reduce about 50%

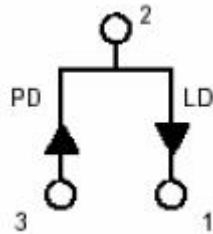
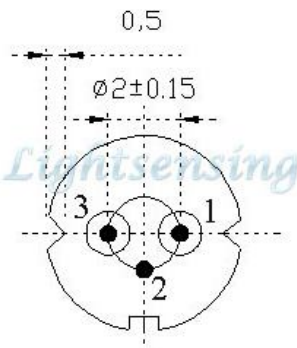
NOTICE: The above product specifications are subject to change without notice.

The package Dimensions



PIN description

Bottom View



pin	function
1	LD Cathode
2	LD anode, PD cathode, case
3	PD anode

Order information

LSFLD635-X-X

- | | | |
|---------|----------|------------------------------------------------------------------------------------|
| mW | X=a | a package with 4um SM, 9um SM or MM Fiber coupling with FC/UPC or FC/APC connector |
| X=3 | X=b | b package with 4um SM, 9um SM or MM Fiber coupling with FC/UPC or FC/APC connector |
| X=other | X=cJKST | c package with ST receptacle |
| | X=dJKFC | d package with FC receptacle |
| | X=e JKFC | e package with FC receptacle |
| | X=f JKFC | f package with FC receptacle |
| | X=Other | By customer's request |

The cautions

- 1: The above product specifications are subject to change without notice.
- 2: The suitable ESD protecting measures are recommend in storage,transporting and using.
- 3: The fiber bending radius no less than 20mm for avoiding fiber damaged ,Be sure the fiber coupling facet is clean before connecting it to opto-circuit.